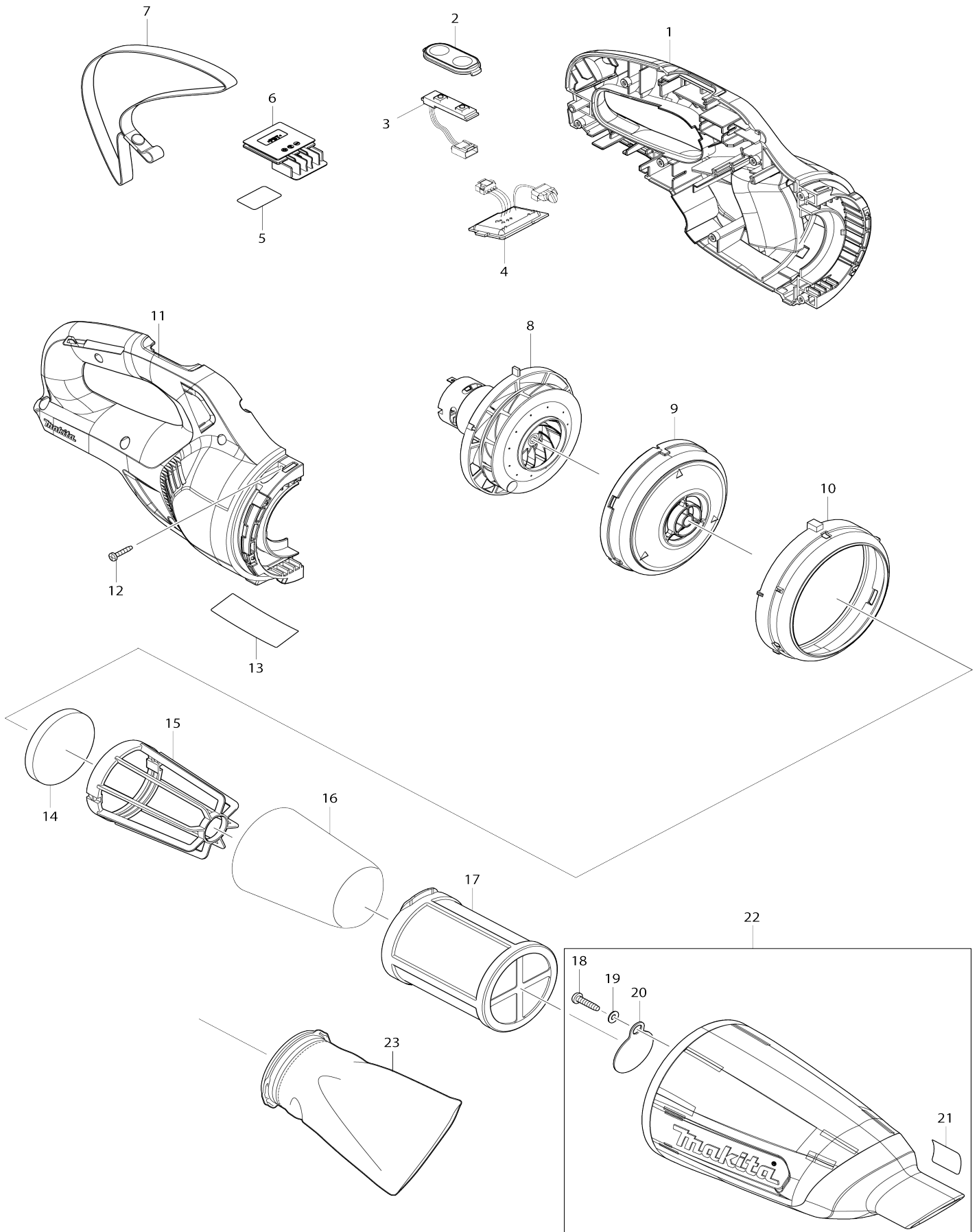


Model No.CL108FD CORDLESS CLEANER



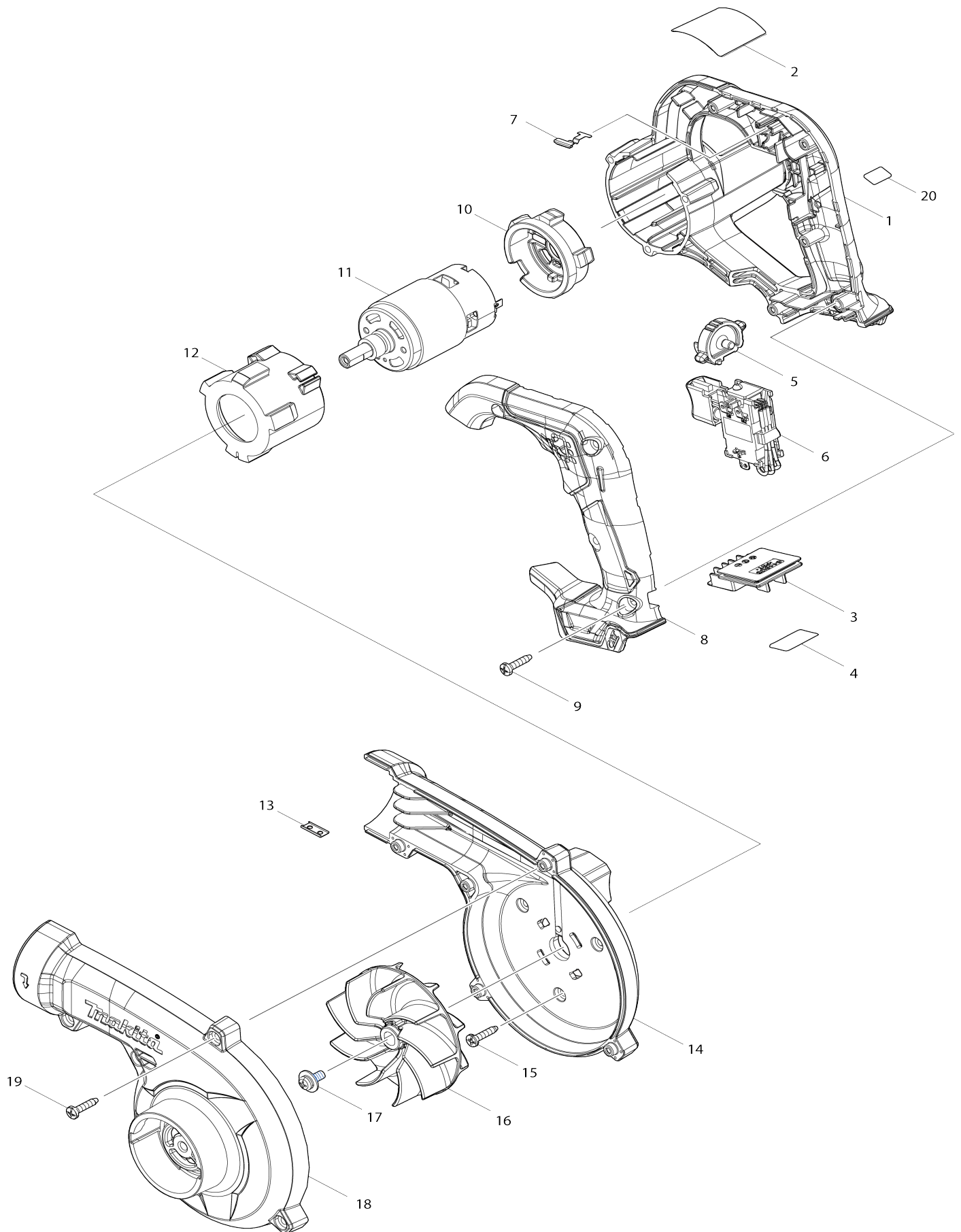
Model No.CL108FD CORDLESS CLEANER

Item No.	Parts No.	Description
001	183K49-2	HOUSING SET
C10	424913-5	SPONGE SHEET 35-70
001		INC. 11
001	183K48-4	HOUSING SET
001-1	183L99-3	HOUSING SET
C10	424913-5	SPONGE SHEET 35-70
001-1		INC. 11
001-1	183L97-7	HOUSING SET
001-1	183T11-1	HOUSING SET
002	144096-2	SWITCH PLATE COMPLETE
003	631973-2	SWITCH UNIT
004	632N07-8	CONTROLLER UNIT
C10	620601-4	LED CIRCUIT
004-1	632R95-9	CONTROLLER UNIT
C11	620E97-9	LED CIRCUIT
C30	654086-2	RECEPTACLE
005	854T81-4	CL108FD SERIAL NO. LABEL
006	644813-5	TERMINAL
008	126846-7	MOTOR ASSEMBLY
009	458834-9	FAN COVER
010	422377-7	RUBBER RING
011	183K49-2	HOUSING SET
C10	424913-5	SPONGE SHEET 35-70
011		INC. 1
011	183K48-4	HOUSING SET
011-1	183L99-3	HOUSING SET
C10	424913-5	SPONGE SHEET 35-70
011-1		INC. 1
011-1	183L97-7	HOUSING SET
011-1	183T11-1	HOUSING SET
012	266429-2	TAPPING SCREW 3X16
013	854T75-9	CL108FD NAME PLATE
014	422268-2	SPONGE SHEET 57
015	458467-0	STAY
016	443060-3	FILTER
017	451208-3	PRE-FILTER
018	265995-6	TAPPING SCREW 4X18
018	266326-2	TAPPING SCREW 4X18
018-1	266326-2	TAPPING SCREW 4X18
018-1	251530-6	TAPPING SCREW 4X18
018-2	251530-6	TAPPING SCREW 4X18
019	941051-3	FLAT WASHER 4
020	424208-6	VALVE
021	809293-4	INDICATION LABEL
022	140G25-5	CAPSULE COMPLETE
022		INC. 18-21
022		INC. 18,20,21

022	140G24-7	CAPSULE COMPLETE
022	141D85-2	CAPSULE COMPLETE
A01	123488-8	FLOOR T-NOZZLE 28 BLU
C10	451410-8	ROLLER
C20	268208-4	PIN 3
C30	424096-1	WIPER
C31	422963-4	WIPER
A01	123486-2	FLOOR T-NOZZLE 28 WHI
A01	123843-4	FLOOR T-NOZZLE 28 PNK
A02	451243-1	SASH NOZZLE 28 BLU
A02	451240-7	SASH NOZZLE 28 WHI
A02	457228-5	SASH NOZZLE 28 PNK
A02-1	413859-0	SASH NOZZLE
A02-1	413770-6	SASH NOZZLE
A02-1	413862-1	SASH NOZZLE
A03	451244-9	PIPE
A03	451241-5	PIPE
A03	457231-6	PIPE 465-28 PNK
A04	451245-7	SASH NOZZLE HOLDER
A04	451242-3	SASH NOZZLE HOLDER
A04	457229-3	SASH NOZZLE HOLDER
A05	456128-6	BATTERY COVER
A06	***DC10WD	DC10WD BATTERY CHARGER
A06		COMPO-PARTS
A06	***DC10SB	DC10SB BATTERY CHARGER
A07	197393-5	BATTERY BL1016 SET
A07	197396-9	BATTERY BL1021B SET
F09	198527-3	FLOOR/CARPET T-NOZZLE BLU
F12	198538-8	SHELF BRUSH SET28 BLU
F14	191496-7	FLEXIBLE HOSE SET28(IVO)
F15	198545-1	FLEXIBLE HOSE SET28(BLU)
F18	198552-4	ROUND BRUSH SET 28 IVO
F19	198553-2	ROUND BRUSH SET 28 BLU
F21	198751-8	PRE FILTER SET EU
F21-1	1914X5-4	PRE FILTER SET
F23	198753-4	EASY SHAKE OFF FILTER SET
F25	198868-7	FLEXIBLE HOSE SET28(WHI)
F27	198873-4	SHELF BRUSH SET28 WHI
F29	198878-4	ROUND BRUSH SET 28 WHI
F31	198915-4	FILTER SET
F33	198919-6	LONG SASH NOZZLE SET 28 WHI
F34-1	199039-9	SEAT NOZZLE SET 28 BLK
F36	198990-0	LONG SASH NOZZLE SET 28 BLU
F38	198992-6	LONG SASH NOZZLE SET 28 BLK
F40	199038-1	SEAT NOZZLE SET 28 WHI
F42	199041-2	SEAT NOZZLE SET 28 BLU
F52	199491-1	CYCLONE ATTACHMENT SET
F54	199439-3	CREVICE NOZZLE 415 SET
F57	191D75-5	CYCLONE ATTACHMENT SET
F59	191D80-2	STRAIGHT PIPE SET 320
F92	1911L1-0	CLEANER STAND SET
F94	1915A8-3	FILTER H KIT SET

C10	4131K6-6	PRE-FILTER
C20	4131K7-4	FILTER H

Model No.UB100D CORDLESS BLOWER



Model No.UB100D CORDLESS BLOWER

Item No.	Parts No.	Description
001	183R73-7	MOTOR HOUSING SET
001		INC. 8
002	857R07-3	UB100D NAME PLATE
003	644813-5	TERMINAL
004	857R14-6	UB100D SERIAL NO. LABEL
005	412573-5	DIAL
006	632R61-6	SWITCH UNIT
C10	688165-4	LINE FILTER
C20	654086-2	RECEPTACLE
007	232620-4	LEAF SPRING
008	183R73-7	MOTOR HOUSING SET
008		INC. 1
009	266326-2	TAPPING SCREW 4X18
010	422589-2	MOTOR RUBBER RING B
011	629A20-7	DC MOTOR
012	422588-4	MOTOR RUBBER RING A
013	345998-7	SET PLATE
014	183R77-9	FAN HOUSING SET
C10	8012T7-9	CAUTION LABEL
014		INC. 18
015	266326-2	TAPPING SCREW 4X18
016	240210-9	FAN 85
017	265B25-5	PAN HEAD SCREW M5X12 WITH WG
018	183R77-9	FAN HOUSING SET
C10	8012T7-9	CAUTION LABEL
018		INC. 14
019	266326-2	TAPPING SCREW 4X18
020	8022C7-3	SOUND 87DB LABEL
A01	123245-4	NOZZLE ASS'Y
C10	454703-2	JOINT
A02	123241-2	DUST BAG ASSEMBLY
C10	410602-8	FASTENER
F05	191M30-1	BRUSH NOZZLE SET
F06	191M32-7	WIPER NOZZLE SET
F07	191M34-3	FLEXIBLE HOSE SET
F08	192236-6	TAPERED NOZZLE SET